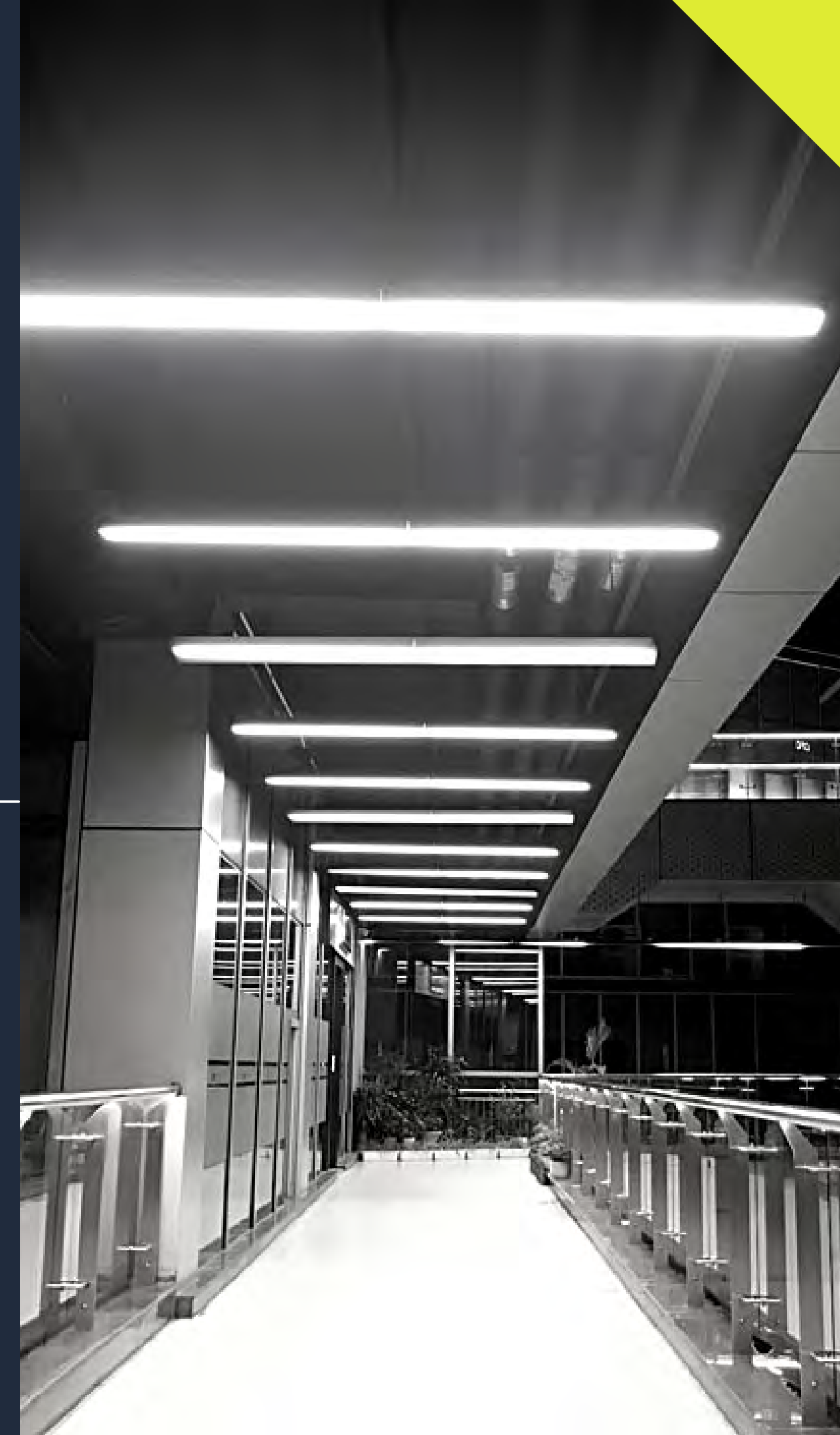


LED GARAGE LIGHT

Canopy Lighting Catalog 2023V1

www.lightideled.com





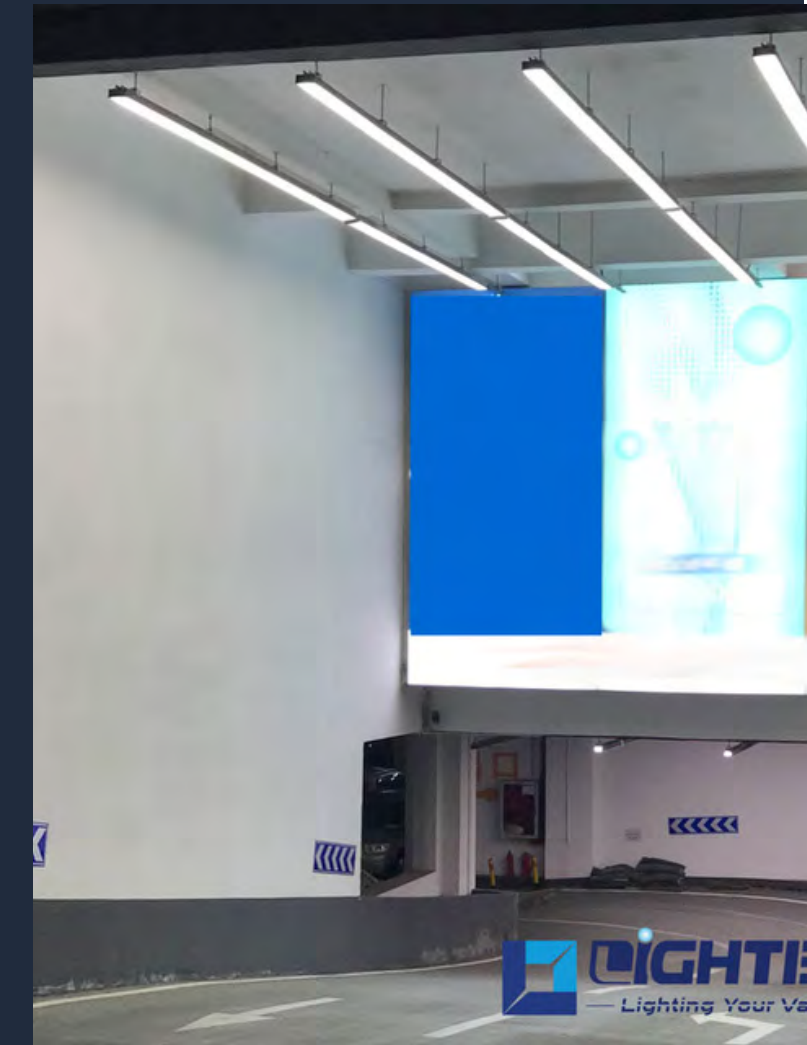
COMMERCIAL & EMERGENCY

LED SOLUTION SUPPLIER

Lightide was set up in 2009. By now, we have focused on the lighting industry for over 20 years. In addition, we have designed and produced several varieties of commercial & outdoor LED light fixtures. Till now, we have provided service to more than 200 companies from 19 countries.

WELCOME TO GARAGE CANOPY LIGHTING SOLUTION

When looking for the right lighting for your location, our selection of affordable LED garage lights is the perfect solution. Designed for outdoor use in a variety of commercial and professional settings, such as bus depots, gas stations, and more, these DLC qualified LED garage lights offer reliable performance in all sorts of weather, so you don't have to worry about constantly replacing fixtures.



LED Lights You Can Trust

Our LED garage lights are available in your choice to accommodate your space with ease and affordability.

BENEFIT



DLC QUALIFIED

Quick Rebate



LONG-TERM WARRANTY

5~10 Years Warranty



EMERGENCY SOLUTION

UL924 & CEC Title-20 Compliant

SGSAL SERIES

Feature

Rugged Grade	Die-cast Aluminum + shatter-proof PC
High Efficacy	125 LPW
Anti Corrosion	Polyester Powder coating
Surge Protection	Std. 4-6 KV
Rated	IP65 Rated, Vandal proof
Beam Angle	120 deg.
Emergency Mode	<ul style="list-style-type: none"> • UL924 & CEC Title-20 • Factory & Field Assembly Option • Integrated switch & Indicator lamp

Order Info.

Com.	Series	Rated	Voltage	CCT	Option	Duration (EM)	Finish
LT	SGSAL	40W	Blank=100-277vac	30K =3000K	DM=1-10VDC	STD.=90 MIN.	Blank=Bronze
		60W	HV =200-480vac	40K=4000K	PC=Photocell	2H=120 MIN.	WH= White
		90W		65K=6500K	EM=Emergency	3H=180 MIN.	
		120W		50K=5000K	MS=Motion		
					57K= 5700K		



SGSAH SERIES

Feature

Rugged Grade	Die-cast Aluminum + shatter-proof PC
High Efficacy	140 LPW
Anti Corrosion	Polyester Powder coating
Surge Protection	Std. 4-6 KV
Rated	IP65 Rated, Vandal proof
Beam Angle	120 deg.
Emergency Mode	<ul style="list-style-type: none"> • UL924 & CEC Title-20 • Field Assembly • Integrated switch & Indicator lamp

Order Info.

Com.	Series	Rated	Voltage	CCT	Option	Duration (EM)	Finish
LT	SGSAH	100W	Blank=100-277vac	30K =3000K	DM=1-10VDC	STD.=90 MIN.	Blank=White
		120W	HV =200-480vac	40K=4000K	PC=Photocell	2H=120 MIN.	BK= Black
		150W		65K=6500K	EM=Emergency	3H=180 MIN.	
				50K=5000K	MS=Motion		
				57K= 5700K			



RECESSED MOUNT

Feature

Rugged Grade	Pure Aluminum + shatter-proof PC
High Efficacy	120 LPW
Anti Corrosion	Polyester Powder coating
Material	CREE Chips + Meanwell
Rated	IP65 Rated, Vandal proof
Beam Angle	60 deg, 90 deg.
Emergency Mode	<ul style="list-style-type: none"> • UL924 & CEC Title-20 • Field Assembly • Integrated switch & Indicator lamp

Order Info.

Com.	Series	Rated	Voltage	CCT	Option	Duration (EM)	Finish
LT	RCPA	100W	Blank=100-277vac	30K=3000K	DM=1-10VDC	STD.=90 MIN.	Blank=White
		150W	HV =200-480vac	40K=4000K	PC=Photocell	2H=120 MIN.	BK= Black
		180W		65K=6500K	EM=Emergency	3H=180 MIN.	
		60W		50K=5000K	MS=Motion		
					57K= 5700K		



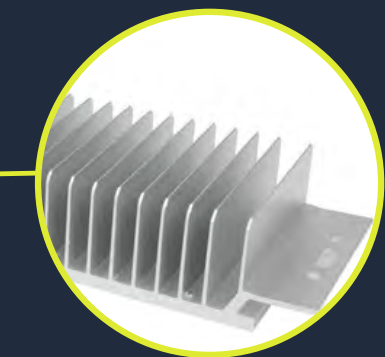
UL/VDE CABLE



TOP Grade Material



Recessed Mount



Modular Design





CCT & WATTAGE SELECTABLE

Feature

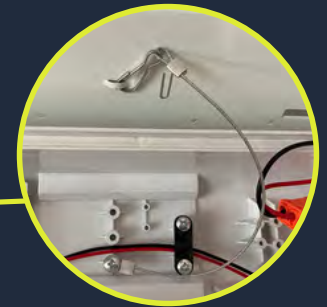
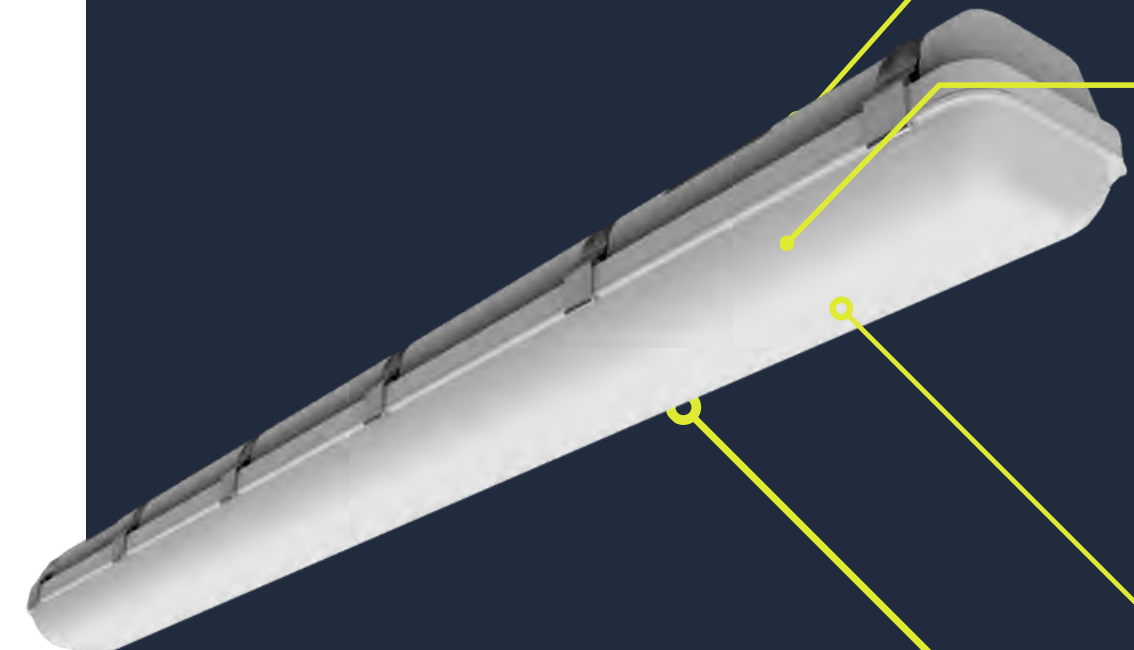
Shatter Proof
High Efficacy
Grade
Rated
Field Selectable
Emergency Mode

Plactic ABS/PC
130 LPW (F) | 150 LPW (C)
UL94-V0 Flame
IP65, Vapor Tight, IK08
CCT & Wattage

- UL924 & CEC Title-20
- Factory Assembly
- Integrated switch & Indicator lamp

Order Info.

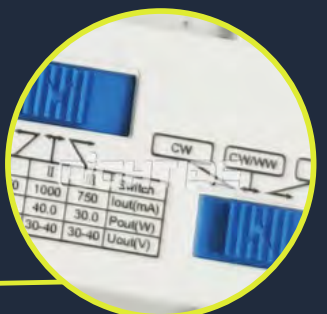
Com. Series	Length	Rated	Voltage	CCT	Option	Cover
LT TPA	2=2'	20=20W	Blank=100-277vac	30K =3000K	DM=1-10VDC	F=Frosty
	4=4'	36=40W	HV =200-480vac	40K=4000K	PC=Photocell	C=Clear
		40CP =32W-40W-50W Select.	EV=200-240vac	50K=5000K	MS=Motion	
		44CP =32W-44W-50W Select.		57K= 5700K	EM=Emergency	
8=8'	12=120W			T = 30K-40K-50K Selectable		
	08=80W	10=100W		65K=6500K		



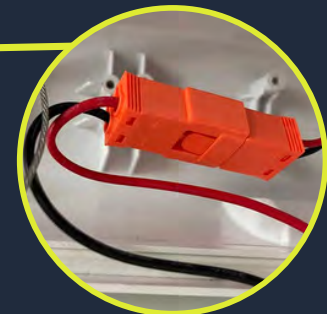
Fall-Arrest Mount Kit



Emergency Backup



CCT & Wattage Selectable



Easy Connection



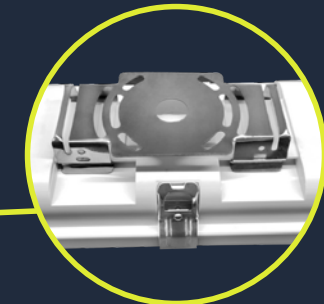
WIDE BEAM ANGLE

Feature

Shatter Proof	Plactic ABS/PC
High Efficacy	130 LPW (Frosty Cover)
Grade	Vapor Tight UL94-V0 Flame
Beam Angle	Wide 165x120 degrees
Rated	IP65 & IK08
Field Selectable	CCT & Wattage
Emergency Mode	<ul style="list-style-type: none"> • UL924 & CEC Title-20 • Factory Assembly • Integrated switch & Indicator lamp

Order Info.

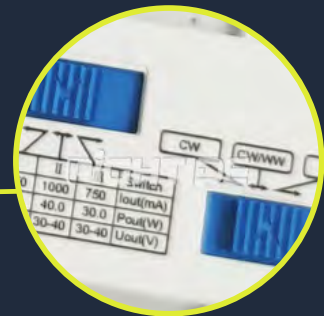
Com.	Series	Length	Rated	Voltage	CCT	Option	Cover
LT	VTA	4=4'	50CP=40-50-60 W 40CP=32-40-50 W	Blank=100-277vac	30K =3000K 40K=4000K 50K=5000K 57K= 5700K T=3000K-4000K-5000K Selectable	DM=1-10VDC PC=Photocell MS=Motion EM=Emergency	Blank=Frosty



J-BOX mOUNT Kit



165 DEG. Light Angle



CCT & Wattage Selectable



LM80 Chips

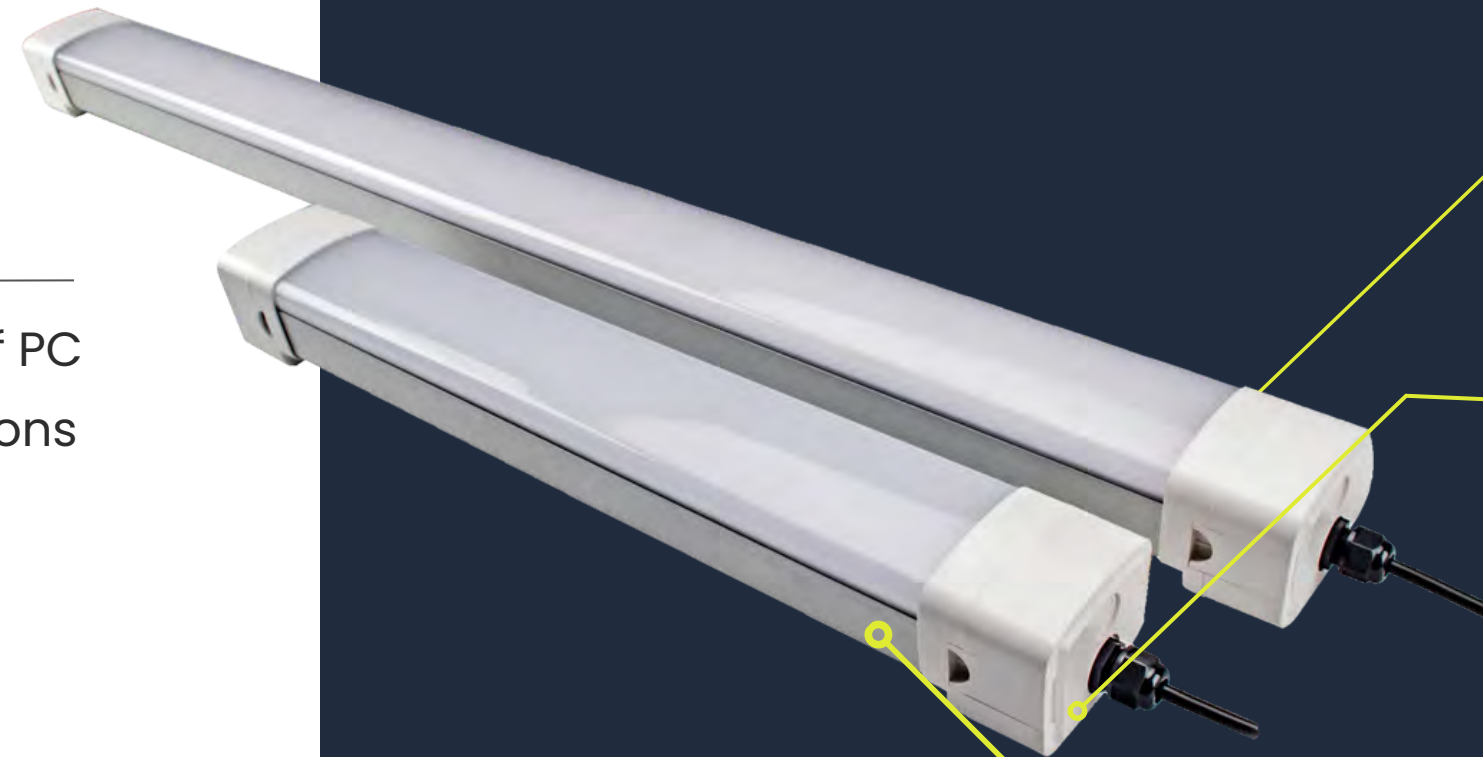
LINKABLE MODEL

Feature

Material	Pure Aluminum & Shatter-proof PC
High Efficacy	120 LPW 140 LPW 160 LPW Options
Grade	UL94-V0 Flame
Beam Angle	120 degrees
Rated	IP65 & IK08
Emergency Mode	<ul style="list-style-type: none"> • UL924 & CEC Title-20 • Factory Assembly • Integrated switch & Indicator lamp

Order Info.

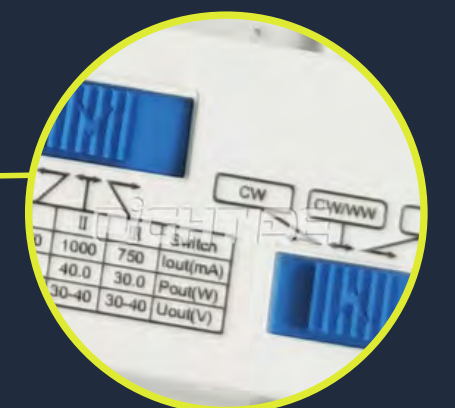
Com.	Series	Length	Rated	Voltage	CCT	Option	Cover
LT	TPL	2=2'	20=20w	Blank=100-277vac	30K=3000K	DM=1-10VDC	F=Frosty
		4=4'	40=40w	HV=200-480vac	40K=4000K	PC=Photocell	C=Clear
		5=5'	60=60w	EV=200-240vac	50K=5000K	MS=Motion	
		8=8'	80=80W		57K=5700K	EM=Emergency Kit	



Linkable Connector



Emergency Backup



CCT & Wattage Selectable

CASE



“

Great emergency led high bay products, takes 24 hours to charge up the battery the first time around. LED lighting is great for my shop.

”

LET'S WORK TOGETHER WITH YOU

Phone : +86-755-83837000

Website : www.lightideled.com

Email : sales@lightideled.com

Address : Shenzhen, China, 518110

US REP. : TN 37070, USA



THANK'S FOR WATCHING

