



HPSD SERIES
G2 LED Flood Light



HPSD SERIES

G2 LED Flood Light Stadium Light



Outdoor led flood lights produce a whopping up to 150 lumen/watt light efficacy with several kinds of beam angles for stadium lighting. This will make it suitable for floodlighting – but typically this line voltage fixture would be used for commercial or municipal purposes.

Moreover, these LED flood light fixtures feature narrow beam angle 20°, 40°, 60°, 90°, and ASY (140°X100°) distribution that lights up the area. In general, these outdoor led pole lights usually are suitable for parking lots, squares, stadiums, arena lighting, etc.

HPSD SERIES

High Mast Transformer Style LED Stadium Light

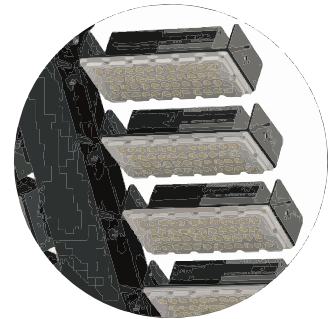
2 Genuine Taiwan Meanwell LED Driver is adopted. Stable performance. Trouble-free for projects.



1 Air convection structure has been adopted for battery house. Separated spaces for cool and hot parts. Lower temperature for led driver, longer longevity.

Use 1060 fin type radiator. The thermal conductivity is as high as 230W/M.K. The heat dissipation surface area of the fin aluminum structure is about more than that of the die-cast aluminum lamp body of the same power 1.8 times, therefore, the same power fin aluminum lamp body can be lighter. There are gaps between the modules to facilitate air convection heat dissipation while allowing strong wind to pass through, reduce wind pressure. These characteristics make the wattage of the lamp can be made larger, but it does not increase the burden of the light pole excessively.

3 Modules are adjustable. Either vertically or horizontally. Met the requirements for precision lighting distributions.



Modules Adjustable

4

Material Comparison

AL1060 Efficiency: 230W/M.K

V.S.

AD 12 Efficiency: 96W/M.K

The heat dissipation surface area:

Fin aluminum structure is about: 90cm²/W.

V.S.

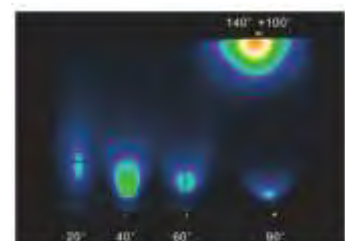
Die-casting aluminum structure is about: 50-60cm²/W.

6 Famous brand LED chip. Brighter luminous flux. Longer longevity.



LM 80 Certified

7 Different lenses for diversified lighting distributions.



5 Strong bracket. The angle is lockable and fixed with screws. Resistance to strong wind and corrosion.

HPSD

High Mast LED Flood Light

Transformer Style | 150 LPW | IP 67 Rated

Catalog#	Type
Comment	
Project	Date

DESCRIPTION

Transformer style High mast led flood light provides new round heat sink design made of pure aluminum 1060 and shatterproof polycarbonate lens. Powder-coating finished housing and sealed gasket for IP 67 rating especially are suitable for outdoor corrosion location. It can be optional application for stadium, building, parking lot lighting, square, road and others.

CONSTRUCTION & MATERIALS

- ◆ Pure aluminum 1060 with efficiency 230 W/M.K
- ◆ New Up-Down Penetrative heat sink design to optimize thermal transfer and
- ◆ Shatter-proof glass cover
- ◆ Stainless steel 304 screw
- ◆ Polyester powder-coated finish
- ◆ Equipped with Lifting yoke
- ◆ IK08 Rated

ENVIRONMENTAL SYSTEM

- ◆ IP 67rated waterproof

FINISH

- ◆ Black

ELECTRICAL SYSTEM

- ◆ Input voltage 100-305VAC, 50/60Hz
- ◆ 347-480vac available
- ◆ ETL/cETL listed,
- ◆ SAA, FCC, CB, CE/RoHS
- ◆ Meanwell driver

OPTICAL SYSTEM

- ◆ 140~160 lumens/watt
- ◆ Color temperature: 3000K, 4000K, 5000K, 5700K.
Other color temperature available for special order, consult factory for lead time.
- ◆ Beam angle: 20°, 40°, 60°, 90°, 120°, and ASY (140°X100°).
- ◆ LM80 certified LumiLeds chips

LIGHTING CONTROL

- ◆ 0-10vdc dimming available
- ◆ 10KV/20KV Surge protection device

WARRANTY

- ◆ 5 Years

STANDARD

- ◆ EN61347-1, EN61347-2-13, EN60598-2-1, EN60598-1
- ◆ UL 924, UL 1598, CAN/CSA -C.22.2 NO. 250.0,



DATA SHEET

Model#	LT-HPSD-480W	LT-HPSD-600W	LT-HPSD-720W	LT-HPSD900W	LT-HPSD-960W	LT-HPSD-1200W	LT-HPSD-1500W
LED Power	480W	600W	720W	900W	960W	1,200W	1,500W
Efficacy	150 lm/W	150 lm/W	150 lm/W	150 lm/W	150 lm/W	150 lm/W	150 lm/W
Input Voltage	100-305VAC	100-305VAC	100-305VAC	100-305VAC	100-305VAC	100-305VAC	100-305VAC
Power Factor	>0.95	>0.95	>0.95	>0.95	>0.95	>0.95	>0.95
Color Temp.	2700K-6500K	2700K-6500K	2700K-6500K	2700K-6500K	2700K-6500K	2700K-6500K	2700K-6500K
CRI	>80	>80	>80	>80	>80	>80	>80
THD	<10%	<10%	<10%	<10%	<10%	<10%	<10%
L70	>50,000 hrs	>50,000 hrs	>50,000	>50,000	>50,000	>50,000	>50,000
CTN Size	83X63X18 cm	83X63X18 cm	83X78X18 cm	83X78X18 cm	83X93X18 cm	83X63X18 cm 83X108X18 cm	83x108X18 cm
G.W./PC	18.8 Kg	19.5 Kg	26 Kg	27 Kg	30.5 Kg	32Kg 34.1 Kg	36.6 Kg
N.W./PC	16.8 Kg	17.5 Kg	22.5 Kg	24.5 Kg	27.5 Kg	29 Kg 32.6 Kg	34 Kg
Ambient Temp.	-49°F to 113°F (-45°C to 45°C)	-49°F to 113°F (-45°C to 45°C)	-49°F to 113°F (-45°C to 45°C)	-49°F to 113°F (-45°C to 45°C)	-49°F to 113°F (-45°C to 45°C)	-49°F to 113°F (-45°C to 45°C)	-49°F to 113°F (-45°C to 45°C)

ORDER INFORMATION

Sample Number: LT-HPSD-600W-HV-50K-SP10-60D

Com.	Series	Wattage	Voltage	CCT	Control Mode	Beam Angle
LT	HPSD	480W 600W 720W 900W 960W 1200W 1500W	Blank 100-305VAC HV 347-480VAC	30K 3000K 40K 4000K 50K 5000K 57K 5700K	DM 0-10VDC Dimming SP10 Surge Protection 10KV SP20 Surge Protection 20KV	20D 20° 40D 40° 60D 60° 90D 90° 120D 120° ASY 140°X100°

HPSD

High Mast LED Flood Light

Transformer Style | 150 LPW | IP 67 Rated

Catalog#

Type

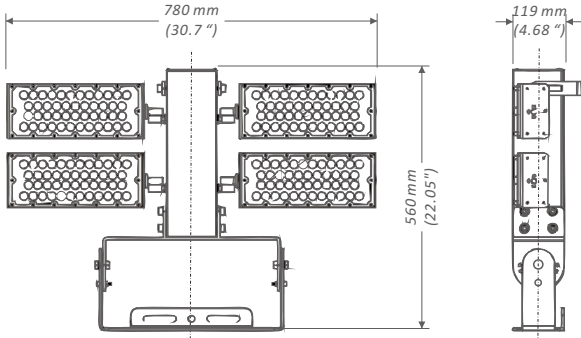
Comment

Project

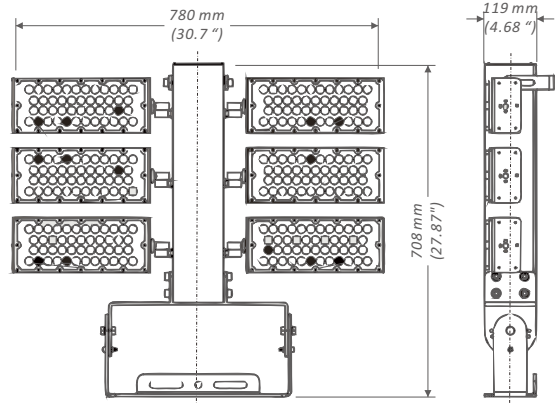
Date

DIMENSION

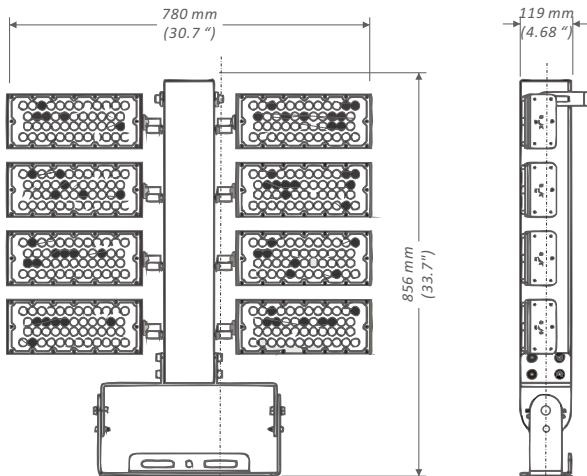
LT-HPSD-480W/600W



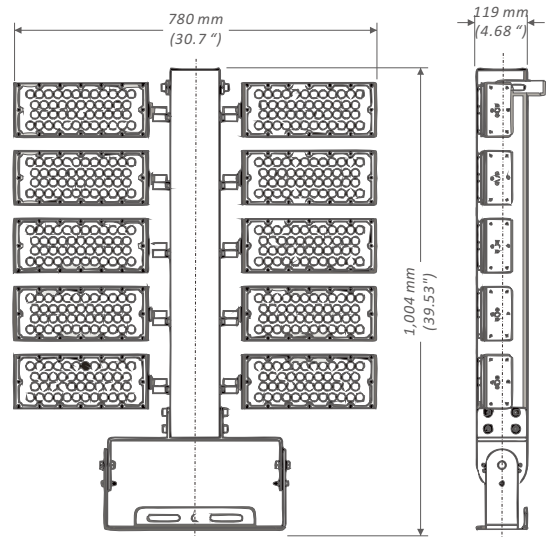
LT-HPSD-720W/900W



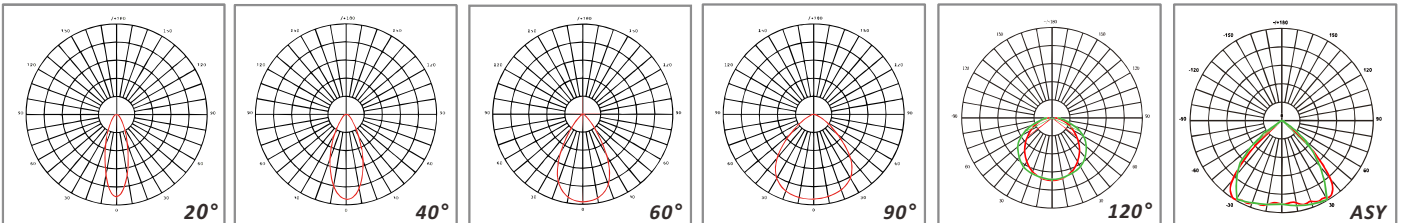
LT-HPSD-960W/1200W



LT-HPSD-1200W/1500W



LIGHT DISTRIBUTOR



APPLICATION

- ◆ Stadium lighting
- ◆ Parking areas lighting
- ◆ Airports lighting
- ◆ Football field lighting
- ◆ Campuses lighting